

Highlights

- 3D Capable for HDMI 1.4a 3D Mandatory Formats
- Brightness at 2000 ANSI Lumens
- High Contrast Ratio at 50,000:1
- Wide Range Lens Shift
- Frame Interpolation
- ISFccc

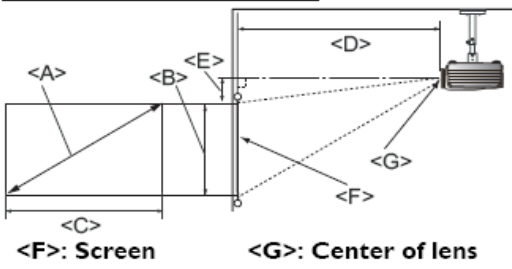


Projection System	DLP®	
Native Resolution	1080p (1920 x 1080)	
Brightness	2000 ANSI lumens	
Contrast Ratio	50000:1	
Display Color	1.07 Billion Colors	
Lens	F=2.48-2.81, f=24.1-36.15mm	
Aspect Ratio	Native 16:9 (5 aspect ratio selectable)	
Throw Ratio	1.62-2.43 (55.7" @ 2m)	
Image Size (Diagonal)	28"-300"	
Zoom Ratio	1.50:1	
Lamp Type	300W	
Lamp (Normal/Economic Mode)*	2000/2500 hours	
Keystone Adjustment	1D, Vertical ± 10 degrees	
Lens Shift	V: ±125% Max, H: ±40% Max	
Resolution Support	VGA (640 x 480) to WUXGA (1920 x 1200)	
Horizontal Frequency	31K-92KHz	
Vertical Scan Rate	23-120Hz	
Compatibility	HDTV Compatibility	720@50P/60P, 1080@50i/60i/24p/30p/50p/60p
	Video Compatibility	NTSC, PAL, SECAM (480i/480p/576i/576p)
	3D Compatibility	Frame packing and top bottom format up to 1080/24p, side by side up to 1080/60i, frame sequential 720p 120Hz
Interface	Computer in (D-sub 15pin)	x 1
	HDMI v1.4	x 2
	Component Video	x 1
	Composite Video	x 1
	S-Video (Mini Din 4 pin)	x 1
	DC 12V Trigger	x 1
	USB (Type Mini B)	x 1
	RS232 (9pin)	x 1
Dimensions	Dimensions(W x D x H)	428 x 317 x 145 mm
	Weight	6.7kg (14.8lbs)
Power	Power Supply	100 to 240 VAC
	Power Consumption	416W, Standby<1W
Audible Noise	33/28 dBA (Normal/Economic mode)	
On-Screen Display Languages	English/Français/Deutsch/Italiano/Español/Русский/繁體中文/简体中文/日本語/한국어/svenska/Nederlands/Türkçe/čeština/Português/ไทย/ไทย/ไทย/polski (17 Languages)	
Preset Modes	Cinema Mode/Dynamic Mode/Standard/User 1/User 2/User 3/3D	
Accessories	Standard	Optional
	Remote Control w/ Battery	3D Glasses P/N: 5Jj3925.001; 5Jj0T14.011
	Power Cord (by region)	Spare Lamp Kit P/N: 5Jj3905.001
	User Manual CD	Ceiling Mounting Kit P/N: 5Jj2K01.001
	Quick Start Guide	
	Warranty Card (by region)	
	VGA (D-sub 15pin) Cable	

* Lamp life results will vary depending on environmental conditions and usage. Actual product's features and specifications are subject to change without notice.

Distance Chart

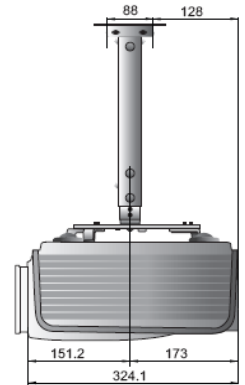
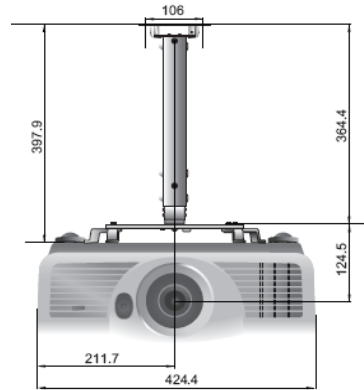
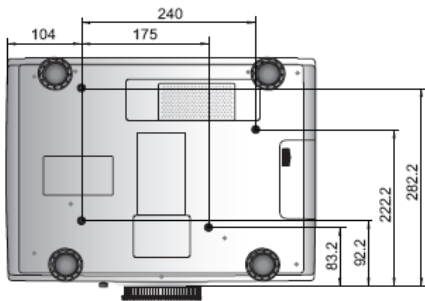
Ceiling Installation



Diagonal <A> [inch (mm)]	Screen dimensions		Projection distance <D> [mm]			Lowest/Highest lens position <E> [mm]
	Height [mm]	Width <C> [mm]	Min distance (with max zoom)	Average	Max distance (with min zoom)	
30 (762)	374	664	1077	1346	1616	47
40 (1016)	498	885	1436	1795	2154	62
50 (1270)	623	1107	1795	2244	2693	78
60 (1524)	747	1328	2154	2693	3232	93
70 (1778)	872	1549	2513	3142	3770	109
80 (2032)	996	1771	2873	3591	4309	125
90 (2286)	1121	1992	3232	4039	4847	140
100 (2540)	1245	2214	3591	4488	5386	156
110 (2794)	1370	2435	3950	4937	5925	171
120 (3048)	1494	2656	4309	5386	6463	187
130 (3302)	1619	2878	4668	5835	7002	202
140 (3556)	1743	3099	5027	6284	7540	218
150 (3810)	1868	3320	5386	6732	8079	233
160 (4064)	1992	3542	5745	7181	8618	249
170 (4318)	2117	3763	6104	7630	9156	265
180 (4572)	2241	3984	6463	8079	9695	280
190 (4826)	2366	4206	6822	8528	10233	296
200 (5080)	2490	4427	7181	8977	10772	311
250 (6350)	3113	5534	8977	11221	13465	389
300 (7620)	3735	6641	10772	13465	16158	467

Wall mount/Ceiling mount Chart

Ceiling mount screws: M6 x 8 (Max. L = 8 mm)



Unit: mm

Dimension

428 mm x 317 mm x 145 mm (W x D x H)

